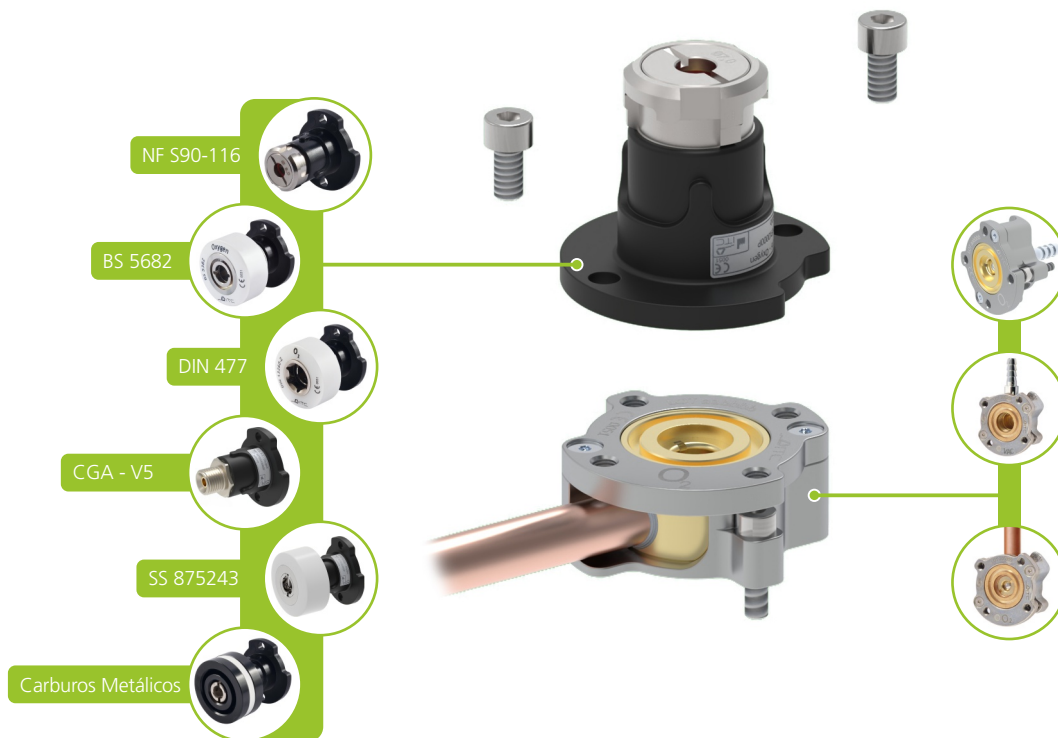


## Medical gas outlets

Outlets for bedheads and ambulances, either with a surface box or recessed wall.

- Common base blocks to all standards, with check valve and the possibility to adjust the feeding angle.
- Available for oxygen, vacuum, medical air and nitrous oxide (Consult our staff about other gases).



(Consult our staff about other standards)

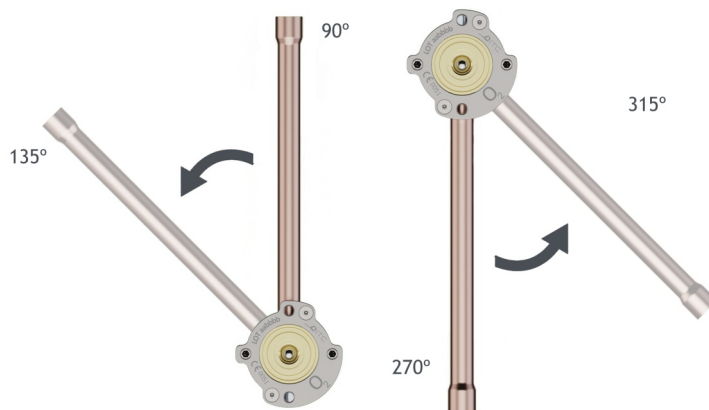
- Manufactured according to European and American standards.

Standard Type	Available	Standard Type	Available	Standard Type	Available	Standard Type	Available	Standard Type	Available	Standards Type	Available
SS 8752430	✓	ENV 737-6	AVAILABLE SOON	Nassetti	✗	NF 590-116/FD 590-119	✓	AS 2896	AVAILABLE SOON	ISO -9170-2	✓
BS 5682	✓	Fro	✗	CGA-V5 (DISS)	✓	OHMEDA	AVAILABLE SOON	UNI 9507	AVAILABLE SOON		
Carbuos Metálicos	✓	Boc Saccab	✓	ISO 18082 (NIST)	✓	CHEMETRON	AVAILABLE SOON	SANS 1409	AVAILABLE SOON		
DIN 13260-2	✓	JIS T 7101	AVAILABLE SOON	Manufacturas Médicas	✓	PURITAN BENNETT	AVAILABLE SOON	Oxifar	✗		

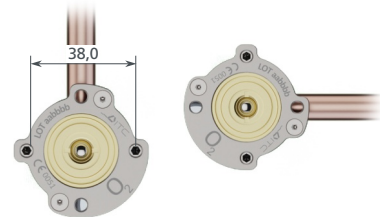
## Just Plut T Features

- Common base blocks to all standards, with check valve and the possibility to adjust the feeding angle.
- Available with  $\varnothing 10.0$  mm copper tube for welding and flexible hose outlet ( $\varnothing 7.0 \times \varnothing 14.0$  mm for vacuum and  $\varnothing 6.0 \times \varnothing 12.0$  mm rest of gases).
- Possibility of mounting the outlet in a vertical or horizontal position without removing the base block.

### ADJUST FEEDING ANGLE



### BASE MOUNTING



Rotating the base-block  $90^\circ$  we can maintain the position of the socket and increase the number of entry angles.

Fixing with two M4 screws.

### SOCKET-BASE BLOCK MOUNTING

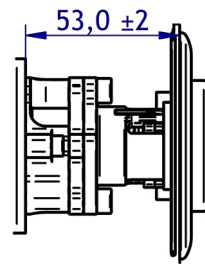


Socket (C) mounting on the base block (B) using only two screws (S).

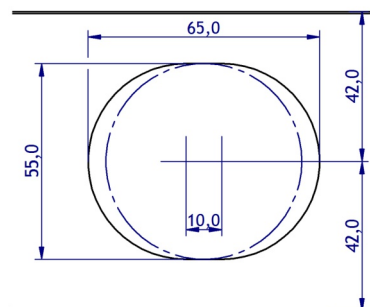
Easy interchangeability of sockets and standard, due to the common base block.

### BEDHEAD MECHANICAL SPECIFICATIONS

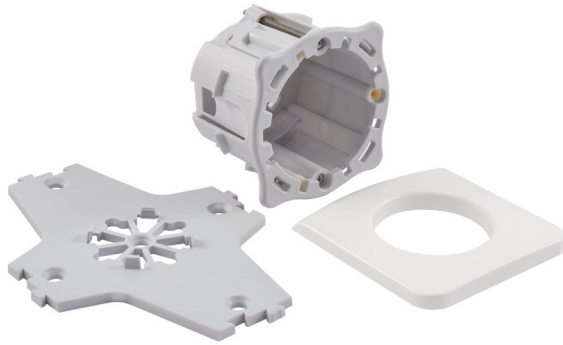
Minimum height outlet placement



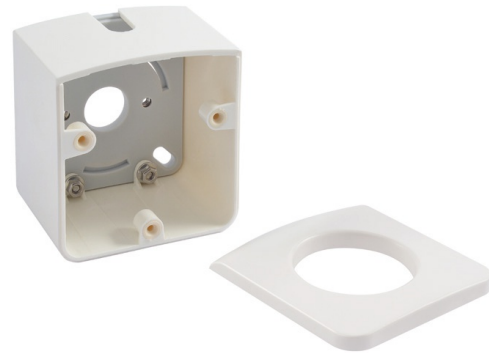
Machining



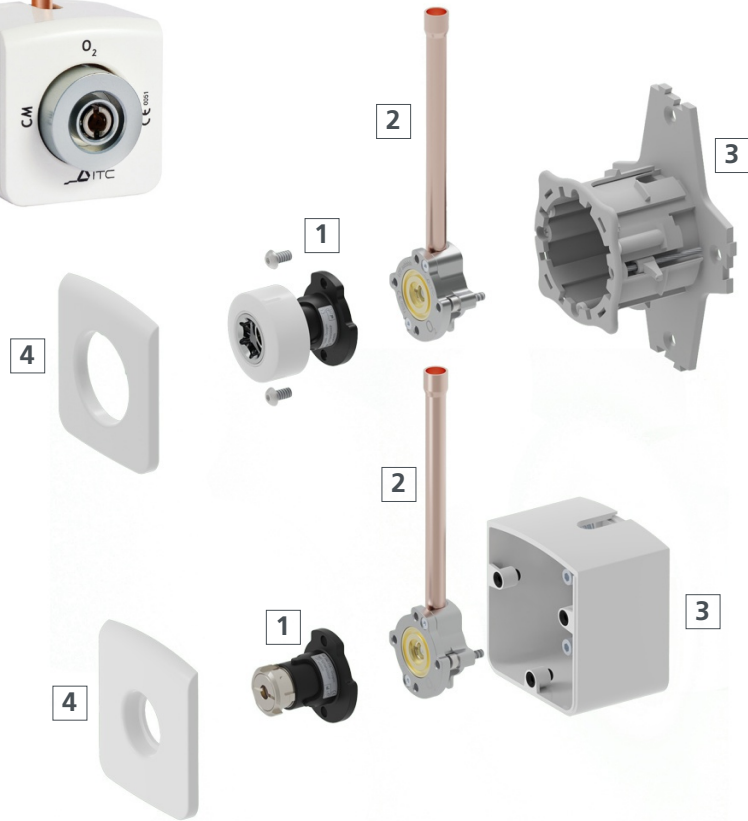
## ACCESSORIES



Recessed Box



Surface Box



- 1 Socket
- 2 Base block
- 3 Plastic Box
- 4 Plastic cover

## TECHNICAL SPECIFICATIONS

**Materials:** Chromed-plated brass, stainless steel, polyamide, ABS and NBR.

**Standards:** NF S 90-116, DIN 13260-2, BS 5682, SS 87 524 30, CGA V-5 (DISS),  
Carburos Metálicos type, consult our staff for other standards.